

**MVP12-P3 AI-MULT4 4xM12A IOLA12 E0**

IO-Link Class A Hub

IO-Link hub in 30 mm plastic housing

4 analog inputs (multi)

1 × M12 IO-Link Class A

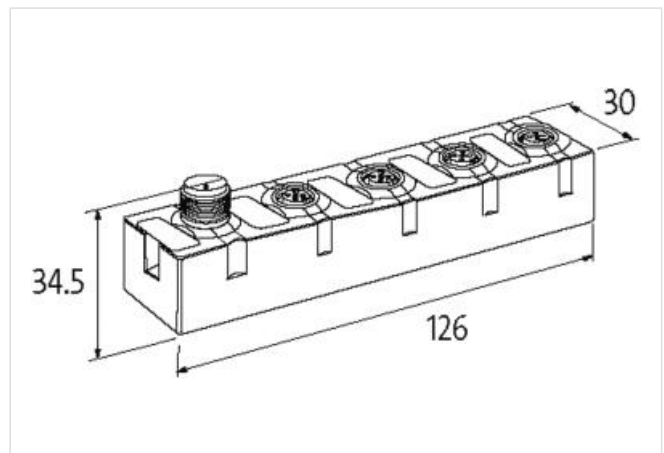
4 × M12 I/O

Extended parameter range

Connection cables are in the online shop under "Connection Technology".

[Link to Product](#)**Illustration**

Product may differ from Image

**Electrical data | Supply**

Operating voltage US DC	24 V
Operating voltage DC	24 V
Operating voltage US DC min.	18 V
Operating voltage US DC max.	30 V
Current operating per port max.	0,2 A
Current consumption max.	50 mA

**Electrical data | Input**

Conversion time with interference frequency filter	OFF: 12 ms, 50 Hz: 50 ms, 60 Hz: 120 ms
--	---

**Industrial communication | IO-Link**

IO-Link process data length output	5 Bytes
IO-Link process data length input	10 Bytes
IO-Link revision ID	V1.1.2
IO-Link revision compatibility	V1.1.3
IO-Link type	Device
IO-Link cycle time min.	1,6 ms
IO-Link transmission rate	COM3 (230.4 kbit/s)
Port Class	A

**Diagnostics**

The information in this Product-PDF has been compiled with the utmost care.  
Liability for the correctness completeness and topicality of the information is restricted to gross negligence. Version: 2023-11-08

Diagnostic via LED	per module and channel
IO-Link events	No voltage, Undervoltage supply
Short circuit diagnosis	yes
LED display	Ethernet connection/data traffic
Status indication LED	green
Overload diagnosis	yes

#### Device protection | Electrical

Installation height max. ASL	3000 m
Feed back resistant	yes
Degree of protection (EN IEC 60529)	IP68
Invers-polarity protection	yes
Short-circuit protected	yes
Overload resistant	yes
Over voltage protection	yes

#### Mechanical data | Mounting data

Suitable for mounting type	2-hole screw mounting
Height	126 mm
Width	30 mm
Depth	34,5 mm

#### Environmental characteristics | Climatic

Operating temperature min.	-25 °C
Operating temperature max.	70 °C
Storage temperature min.	-40 °C
Storage temperature max.	85 °C

#### Conformities, approvals, certificates

Product standard	EN 61131-2
------------------	------------

#### Connection type 4

Connection type 1	X0-X3
Connection type 2	X0-X3
Connection type 3	XZ1
Connection type 4	XZ1
Family construction form	M12
Gender	female
Color contact carrier	green
Coding	A
No. of poles	5
PIN 1	24 V DC US
PIN 2	AI
PIN 3	0 V US
PIN 4	n.c.
PIN 5	n.c.
Family construction form	M12
Gender	female
Color contact carrier	black
Coding	A
No. of poles	5
PIN 1	24 V DC (US)
PIN 2	AI
PIN 3	0 V (US)
PIN 4	n.c.
PIN 5	n.c.
Family construction form	M12

Gender	male
Coding	A
No. of poles	5
PIN 1	24 V DC US (L +)
PIN 2	n.c.
PIN 3	0 V US (L -)
PIN 4	C / Q / IO-Link
PIN 5	n.c.
Family construction form	M12
Gender	male
Coding	A
No. of poles	5
PIN 1	24 V DC (US) (L +)
PIN 2	n.c.
PIN 3	0 V (US) (L -)
PIN 4	C / Q / IO-Link
PIN 5	n.c.

**Commercial data**

customs tariff number	85389099
GTIN	4065909027950
Packaging unit	1